



INSTRUCTION

MTB 3in1, 4in1 Hubs_Catalog 2012



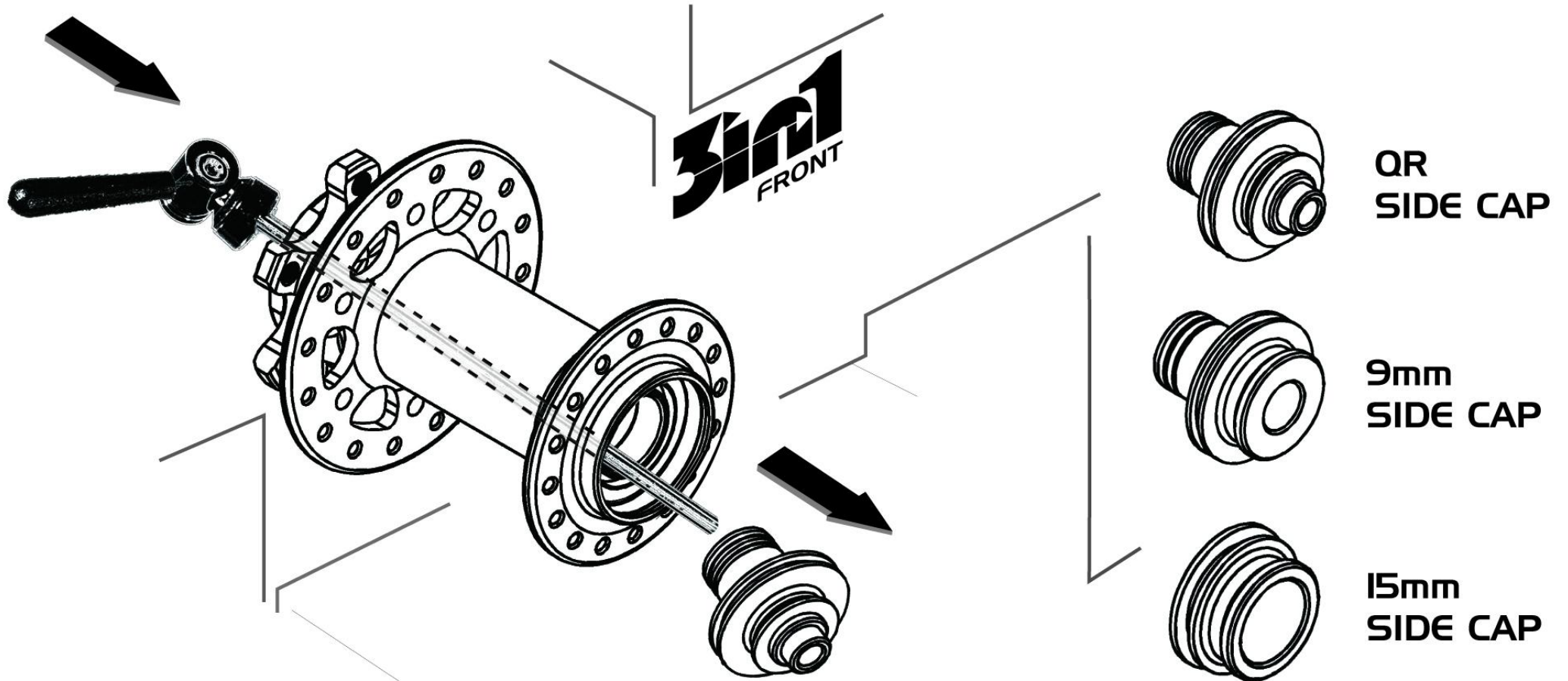
NOVATEC®

QUALITY • PERFORMANCE • RELIABILITY

INSTRUCTION - INTERCHANGE SIDE CAPS

THREE IN ONE SYSTEM

MOST VARIABLE SYSTEM FOR WIDE RANGE OF USING
EASY INTERCHANGEABLE PARTS



HUB MODEL :
XD711SB
FOR WHEELS :
DRAGON
FLOW TRAIL
TX 29ER

1. USE QR TO PUSH THE SIDE CAP OUT OF HUB SHEEL.
2. FOR ASSEMBLING ADAPTERS, NO TOOLS WILL BE NEEDED. USE HAND TO INSERT SIDE CAP.

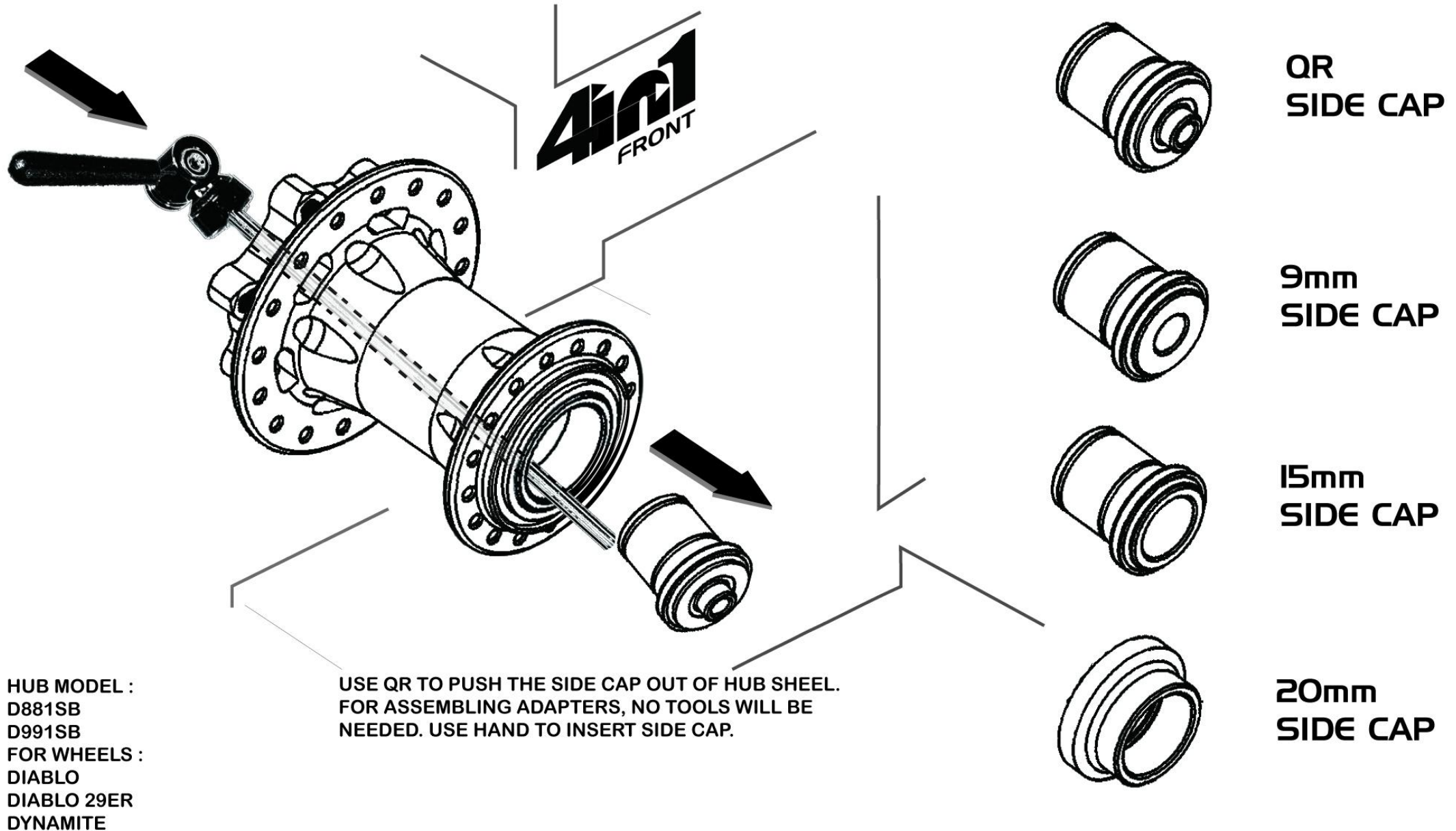
NOVATEC®

QUALITY • PERFORMANCE • RELIABILITY

INSTRUCTION - INTERCHANGE SIDE CAPS

FOUR IN ONE SYSTEM

MOST VARIABLE SYSTEM FOR WIDE RANGE OF USING
EASY INTERCHANGEABLE PARTS



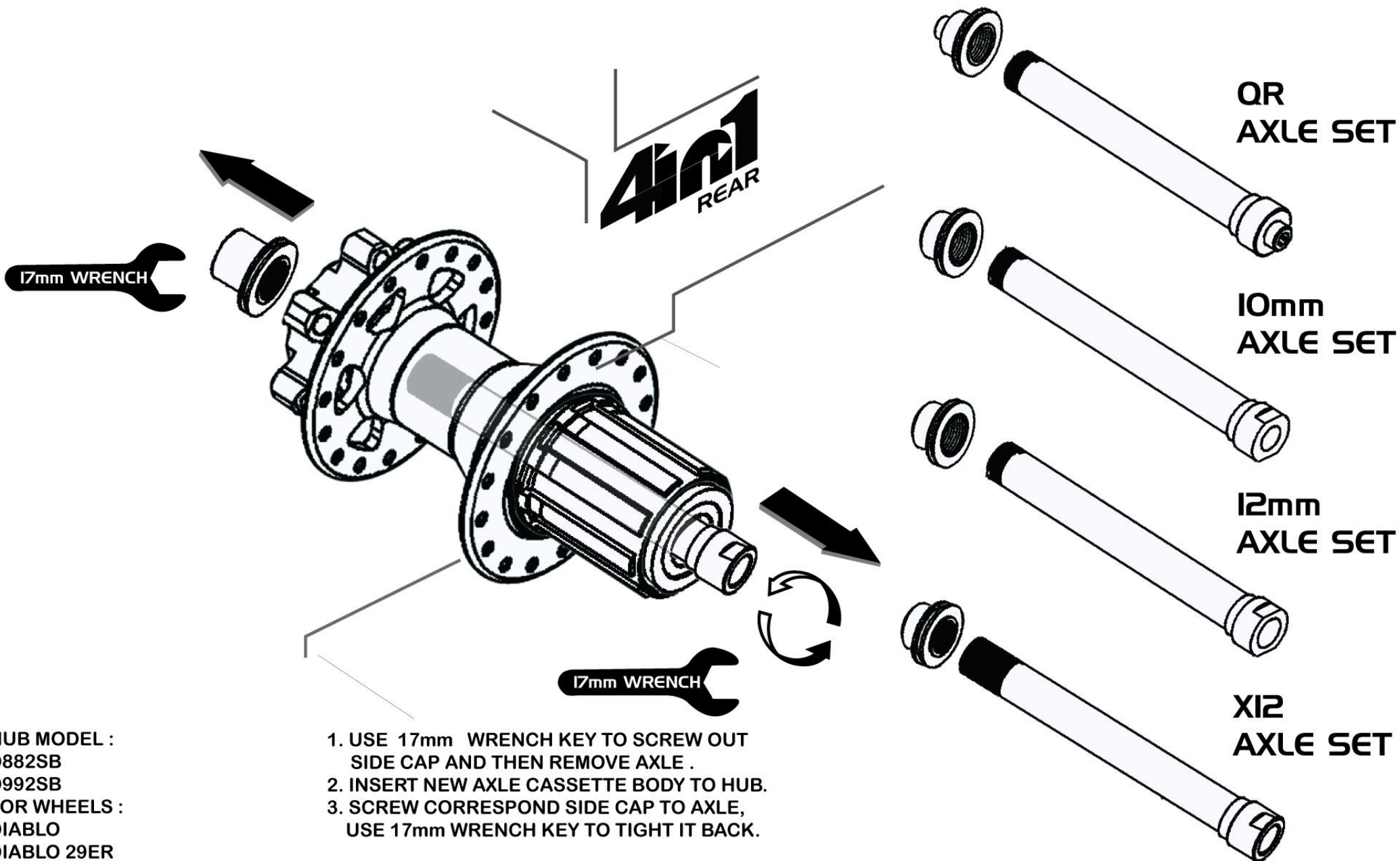
NOVATEC®

QUALITY • PERFORMANCE • RELIABILITY

INSTRUCTION - INTERCHANGE SIDE CAPS

FOUR IN ONE SYSTEM

MOST VARIABLE SYSTEM FOR WIDE RANGE OF USING
EASY INTERCHANGEABLE PARTS



HUB MODEL :
D882SB
D992SB
FOR WHEELS :
DIABLO
DIABLO 29ER
DYNAMITE

1. USE 17mm WRENCH KEY TO SCREW OUT SIDE CAP AND THEN REMOVE AXLE .
2. INSERT NEW AXLE CASSETTE BODY TO HUB.
3. SCREW CORRESPOND SIDE CAP TO AXLE, USE 17mm WRENCH KEY TO TIGHT IT BACK.

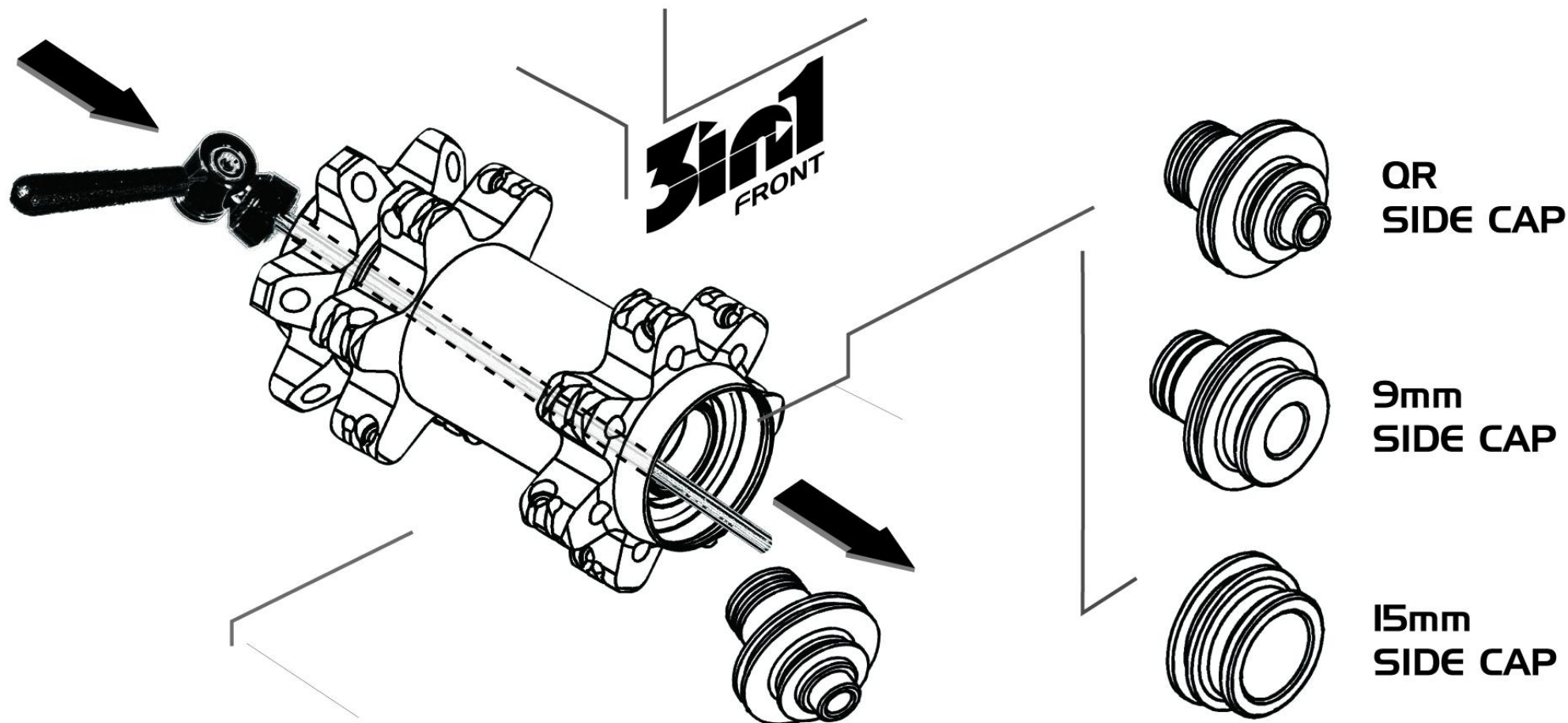
NOVATEC®

QUALITY • PERFORMANCE • RELIABILITY

INSTRUCTION - INTERCHANGE SIDE CAPS

THREE IN ONE SYSTEM

MOST VARIABLE SYSTEM FOR WIDE RANGE OF USING
EASY INTERCHANGEABLE PARTS



HUB MODEL :
XDS51SB
XDS11SB
FOR WHEELS :
X-RACE
X-TRAIL 2X2
BLAST

USE QR TO PUSH THE SIDE CAP OUT OF HUB SHEEL.
FOR ASSEMBLING ADAPTERS, NO TOOLS WILL BE
NEEDED. USE HAND TO INSERT SIDE CAP.