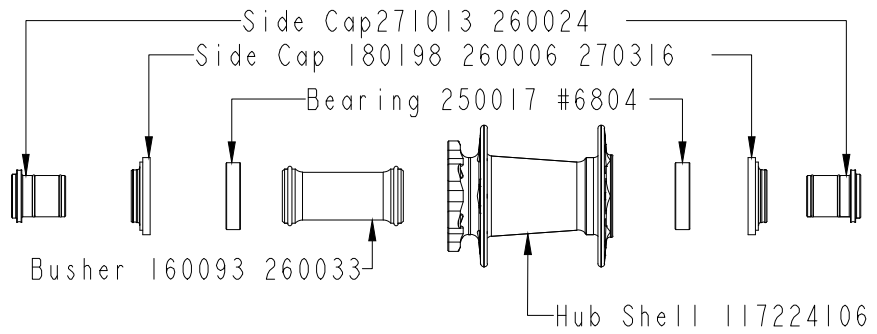




Rim FX18 XCR 29"
CFTRM-9AD29A

Rim FX18 XCR 29"
CFTRM-9AD29A



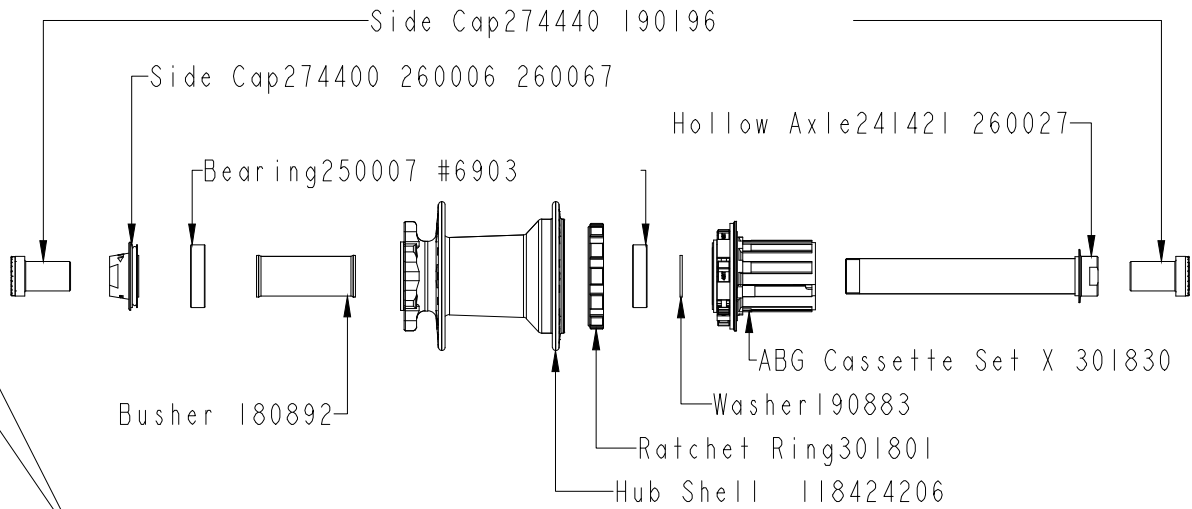
Side Cap 271013 260024

Side Cap 180198 260006 270316

Bearing 250017 #6804

Busher 160093 260033

Hub Shell 117224106



Side Cap 274440 190196

Side Cap 274400 260006 260067

Bearing 250007 #6903

Busher 180892

Hollow Axle 241421 260027

ABG Cassette Set X 301830

Washer 190883

Ratchet Ring 301801

Hub Shell 118424206

Spoke SSDSP-PT5290111T
Spoke SSDSP-PT52920111T
Nipple NSDSP-1420F1A

Spoke SSDSP-PT52910111T
Spoke SSDSP-PT52890111T
Nipple NSDSP-1420F1A

Spoke SSDSP-PT52900E11T
Spoke SSDSP-PT52920E11T
Nipple NSDSP-1420E1A

Spoke SSDSP-PT52910E11T
Spoke SSDSP-PT52890E11T
Nipple NSDSP-1420E1A

Cust Model No.

T-Range	T-Allow	T-Angel
1-4	±0.05	±10°
4-16	±0.1	±20°
16-64	±0.2	±30°
64-250	±0.3	±1°
250-1500	±0.5	±2°

MODEL SHEET

Dragon 29" 2/2

Content	M.Code	M.Drawer	李沅蓁	Mate		
	Scale	FREE	M.Date	16.03.07	Name	Wheel Set Scematic D.
	H.T.		Check		Drawer	林裕斌
	Fin.		Apprv.		Date	13.06.14

Drw No.	JY130168
REV.	1.0
Mat. No.	

